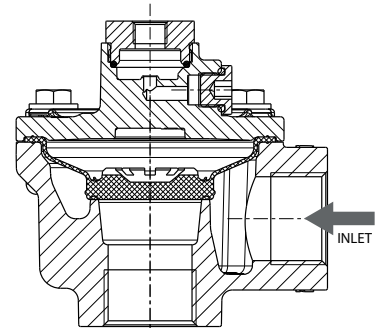
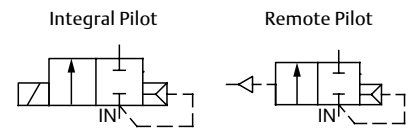
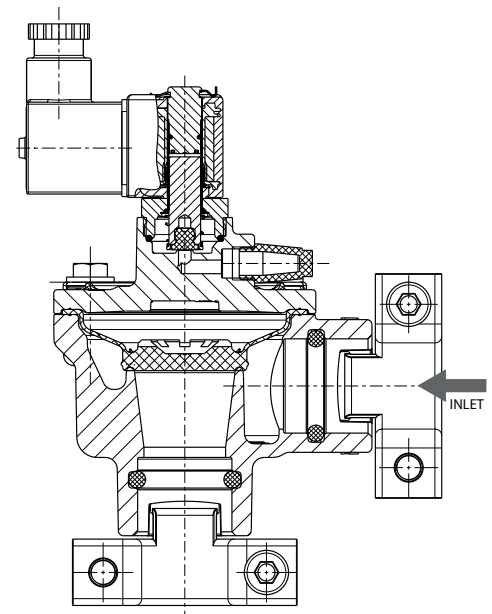


- The springless one-piece diaphragm pulse valves are especially designed for dust collector service applications, combining high flow, long life and extremely fast opening and closing to produce reliable and economical operation. The valves are selectable with integral or remote piloting.
- The high flow, angle type bodies, springless construction, in combination with the special diaphragm assemblies give the unique operating features required for dust collector service applications.
- Engineered to deliver a high-energy pulse of air while minimizing compressed air consumption. The valve delivers an average compressed air savings of 15%. Specific system savings can be calculated using this compressed air calculator. [Series 353 Air Savings Calculator](#)
- The design with patented Quick Mount Clamp connections eliminates the time consuming thread cutting and sealing resulting in maximum flexibility while the valve will be anchored to the pipes.
- Built-in silencers guarantee noise free operation and avoid foreign particles entering the valve.
- The integral operators are provided with epoxy moulded F-class coils.
- The valves satisfy all relevant EC directives.
- UL Recognized / CSA and RoHS compliant.



Threaded pipe connection



Quick Mount Clamp connection

General Valve Information

Body	Aluminium	
Core tube, core spring, core and plugnut	Stainless Steel	
Shading coil	Copper	
Sealings and disc	NBR (Nitrile)	
Diaphragm	TPE / TPE-LT	
Temperature range	TPE - Standard Ambient -20°C to +85°C (-4°F to 185°F) Cleaning Fluid -15°C to +85°C (5°F to 185°F) Dusty Gas -20°C to +140°C (-4°F to 284°F)	TPE - Low-Temp Ambient -40°C to +60°C (-40°F to 140°F) Cleaning Fluid -40°C to +60°C (-40°F to 140°F) Dusty Gas -40°C to +60°C (-40°F to 140°F)

Electrical Characteristic (1)

Relative Duty Time	10%, max. on time 1 min.
Coil insulation class	F - 155°C (311°F)
Electrical enclosure protection	Moulded enclosure IP 65
Electrical interface	Spade plug (Cable Ø 6 - 8 mm (0.24 - 0.32 inches)), DIN 46244
Electrical safety	IEC 335
Voltage	DC 24V; AC 24V/50-60Hz, 120/60 - 110/50V/Hz, 230V/50-60Hz

(1) More Information see pages 2 and 7

Specifications

Pipe Size (in)	Orifice Size mm (in)	Flow Factor		Operating Pressure Differential bar (psi)		Coil Wattage (1)		Connection Type	Catalog Number	Electrical Interface (2)	Options (3)	Voltage Code					Dimension Type (4)	
		Kv (m³/h)	Cv	Min	Max.	AC	DC					24/50-60	120/60, 110/50	230/50-60	24/DC	Remote		
2-Way Normally Closed Aluminum Valve, TPE (One-Piece Diaphragm)															Drawing			
3/4"	32 (1-1/4")	13	15	2 (30)	8,5 (125)			NPT-Thread	8353K111...	0X (Remote Pilot)	A00						00	4
								G-Thread	G353K111...									4
								Clamp (NPT - Bonnet)	K353K111...									2
								Clamp (G - Bonnet)	K353K111...									2
						6,3	22	NPT-Thread	8353K111...	S1 - DIN Coil (w/ connector)	A00	FQ	F0	FH	F1		00	3
								G-Thread	G353K111...									3
								Clamp	K353K111...									1
1"	32 (1-1/4")	20	23	2 (30)	8,5 (125)			NPT-Thread	8353K211...	0X (Remote Pilot)	A00						00	4
								G-Thread	G353K211...									4
								Clamp (NPT - Bonnet)	K353K211...									2
								Clamp (G - Bonnet)	K353K211...									2
						6,3	22	NPT-Thread	8353K211...	S1 - DIN Coil (w/ connector)	A00	FQ	F0	FH	F1		00	3
								G-Thread	G353K211...									3
								Clamp	K353K211...									1

(1) Detailed technical information on the following page(s).

(2) Electrical operator types on the following page(s).

(3) More options for each construction type on the following page(s).

(4) Dimensions, see drawing(s) for each construction type on the following page(s).

Quick Mount Clamp Connection - Remote Pilot Valves

Pipe Size (in)	Connection Type	Catalog Number (Standard)	Catalog Number (Low-Temp)	Valve Details
3/4"	Clamp (NPT - Bonnet)	K353K1110X6AG00	K353K1120X6AG00	3/4", Clamp, Remote, NPT Bonnet
	Clamp (G - Bonnet)	K353K1110XA0000	K353K1120XA0000	3/4", Clamp, Remote, G Bonnet
1"	Clamp (NPT - Bonnet)	K353K2110X6AG00	K353K2120X6AG00	1", Clamp, Remote, NPT Bonnet
	Clamp (G - Bonnet)	K353K2110XA0000	K353K2120XA0000	1", Clamp, Remote, G Bonnet