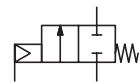




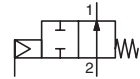
VALVES

pressure operated
bronze or stainless steel body
threaded ports, 3/8 to 2 1/2

NC



NO



2/2
Series
E290

FEATURES

- High flow due to angled seat design
- Anti-waterhammer design (fluid entry under the disc)
- Vacuum operation up to 10² mbar
- Wide range of piston-type operators (32 - 50- 63 - 90 - 125 mm dia.) rotatable through 360°, for maximum performance at different minimum pilot pressures
- High performance, maintenance-free stuffing box
- The valves satisfy Pressure Equipment Directive 2014/68/EU, category 1 (DN > 25) or article 4.3 (DN ≤ 25)
- The valves in conformity with IEC 61508 Standard (2010 route 2_H version) certified with integrity levels: SIL 2 for HFT = 0

GENERAL

Differential pressure	See «SPECIFICATIONS» [1 bar =100 kPa]
Maximum allowable pressure	16 bar
Ambient temperature range	-10°C to +60°C
Maximum viscosity	600 cSt (mm ² /s)
Pilot fluid	Filtered air or water ⁽¹⁾
Max. pilot pressure	10 bar
Min. pilot pressure	See below and following page
Pilot fluid temperature	-10°C to +60°C
Response time	See page 7 (www.asco.com)



fluids (*)	temperature range	disc seal (*)
DN ≤ 50: air and gas groups 1 & 2 DN 65: air and gas group 2 all DN: water, oil, liquids groups 1 & 2 and steam	- 10°C to + 184°C	PTFE

MATERIALS IN CONTACT WITH FLUID

(*) Ensure that the compatibility of the fluids in contact with the materials is verified

	Bronze body	Stainless steel body
Valve body	Bronze	AISI 316L
Stuffing box housing	Brass	AISI 316L
Stem	Stainless steel	Stainless steel
Disc	Brass	Stainless steel
Stuffing box packing	PTFE chevrons	PTFE chevrons
Wiper seal	FPM	FPM
Disc seal	PTFE	PTFE
Valve body seal	PTFE	PTFE

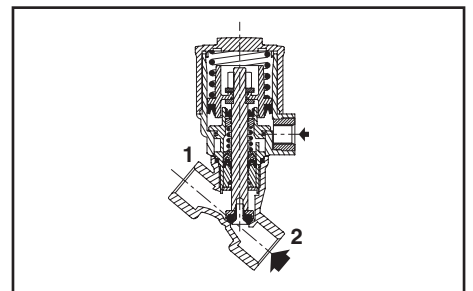
OTHER MATERIALS

Operator	Glass fibre filled PA
Optical position indicator	PA 12, supplied standard on valves with 63, 90 and 125 mm operators

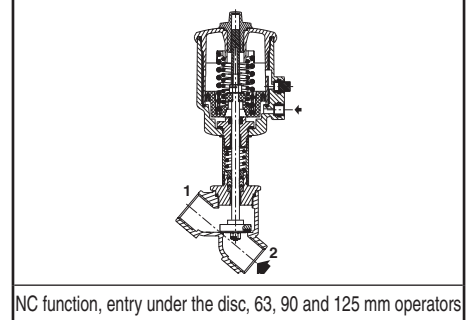
⁽¹⁾ For dia. 32, 50, 63, 90 and 125 mm operators: At service fluid temperatures inside the valve body above 100°C, it is prohibited to pilot the valve with water.

SPECIFICATIONS

piping (ISO 6708)		flow coefficient Kv		pilot pressure (bar)		operating pressure differential (bar)				operator diameter (mm)	catalogue number			
pipe size (G*)	DN	(m ³ /h)	(l/min)	min.	max.	min.	max.				bronze	stainless steel		
							air, inert gas, aggressive fluids (*)	water, oil, liquids, aggressive liquids (*)	steam (*) (≤184°C)					
NC - Normally closed, entry under the disc ⁽¹⁾														
3/8	10	2,8	47	4	10	0	16	16	10	32	-	E290A791		
		4,1	68	4	10	0	12	12	10	32	-	E290A792		
1/2	15	4,9	82	4	10	0	16	16	10	50	E290A384	E290A393		
				2,5	10	0	16	16	10	63	E290B002	E290B045		
3/4	20	6,5	108	4	10	0	6	6	6	32	-	E290A793		
				10	10	0	10	10	10	50	E290A385	E290A394		
				16	16	0	16	16	10	63	E290B005	E290B048		
				2,5	10	0	12	12	10	63	E290B004	E290B047		
1	25	12,8	213	4	10	0	6	6	6	50	E290A386	E290A395		
				10	10	0	10	10	10	63	E290B010	E290B053		
				16,5	275	4	10	0	16	16	10	90	E290B011	E290B054
				2,5	10	0	6	6	6	63	E290B008	E290B051		
1 1/4	32	27	450	4	10	0	12	12	10	90	E290B009	E290B052		
				6	6	6	6	6	63	E290A016	E290A059			
				12	12	10	90	E290A017	E290A060					
				3	3	3	63	E290A014	E290A057					
				7	7	7	90	E290A015	E290A058					
				4	10	0	16	16	10	125	E290A642	E290A646		
2,5	10	0	16	16	10	125	E290A641	E290A645						



NC function, entry under the disc, 32 and 50 mm operators



NC function, entry under the disc, 63, 90 and 125 mm operators