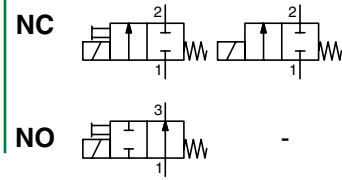




# SOLENOID VALVES

direct operated  
1/8 - 1/4



2/2  
Series  
256

## FEATURES

- Wide range of flow and pressure ratings
- Quick disassembly of core tube for easy maintenance of internal parts
- Standard disc seal made of FPM suitable for a wide range of operating temperatures and compatible with many fluids
- Standard manual operator allows an easy installation (Except 4 and 5 mm orifice sizes)
- AC/DC interchangeability of the solenoid without disassembly of the valve
- Compliance with UL and CSA standards (coil 4/6,9 W)
- Compact and low weight valve
- The solenoid valves satisfy all relevant EC directives

## GENERAL

**Differential pressure** See «SPECIFICATIONS» [1 bar =100 kPa]  
**Maximum viscosity** 40 cSt (mm<sup>2</sup>/s)  
**Response time** 5 - 10 ms

fluids (*)	temperature range (TS)	seal materials (*)
air, inert gas, water, oil	-10°C to +100°C	FPM (fluoroelastomer)

## MATERIALS IN CONTACT WITH FLUID

(\*) Ensure that the compatibility of the fluids in contact with the materials is verified

	Brass body	Stainless steel body
<b>Body</b>	Brass	AISI 316
<b>Core tube</b>	Stainless steel	Stainless steel
<b>Core and plugnut</b>	Stainless steel	Stainless steel
<b>Springs</b>	Stainless steel	Stainless steel
<b>Seat</b>	Brass	Stainless steel
<b>Seals</b>	FPM	FPM
<b>Disc</b>	FPM	FPM
<b>Shading coil</b>	Copper	Copper

## ELECTRICAL CHARACTERISTICS

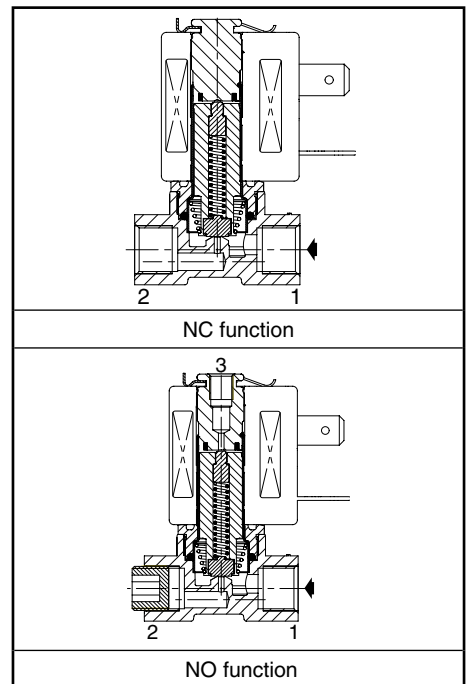
**Coil insulation class** F  
**Connector** Spade plug (cable Ø 6-8 mm or Ø 6-10 mm)  
**Connector specification** DIN 43650, 11 mm, industry standard B (type 01) or ISO 4400 / EN 175301-803, form A (type 02)  
**Electrical safety** IEC 335  
**Electrical enclosure protection** Moulded IP65 (EN 60529)  
**Standard voltages** DC (=) : 24V - 48V  
 (Other voltages and 60 Hz on request) AC (~) : 24V - 48V - 115V - 230V / 50 Hz

prefix option	power ratings				operator ambient temperature range (TS) (C°)	replacement coil		type <sup>(1)</sup>
	inrush ~	holding ~	hot/cold =			~	=	
	(VA)	(VA)	(W)	(W)		230 V/50 Hz	24 V DC	
SC	12	6	4	5 / 6,9	-10 to +60	400127-197	400127-142	01
	15	7	5	5 / 6,9	-10 to +60	400727-117	400727-185	02

<sup>(1)</sup> Refer to the dimensional drawings on the following page.

## SPECIFICATIONS

pipe size	orifice size	flow coefficient Kv		operating pressure differential (bar)								power coil (W)		catalogue number		options	
				min.	max. (PS)						EPDM					-	
					air (*)	water (*)	oil (*)	~	=	~							=
G	(mm)	(m <sup>3</sup> /h)	(l/min)		~	=	~	=	~	=	~	=	~/=	~/=			
<b>NC - Normally closed</b>																	
1/8	1,2	0,05	0,8	0	28	20	28	20	28	20	4	6,9	SCG256B001VMS	SCG256B013VMS	E	-	-
	1,6	0,08	1,33	0	20	12	20	12	20	12	4	6,9	SCG256B002VMS	SCG256B014VMS	E	-	-
	2,0	0,11	1,83	0	15	6	15	6	15	6	4	6,9	SCG256B003VMS	SCG256B015VMS	E	-	-
	2,4	0,13	2,16	0	12	4	12	4	12	4	4	6,9	SCG256B004VMS	SCG256B016VMS	E	-	-
1/4	1,6	0,08	1,33	0	20	12	20	12	20	12	4	6,9	SCG256B402VMS	SCG256B414VMS	-	-	-
					20	15	20	15	20	15	5	6,9	SCG256B466VMS	SCG256B434VMS	-	-	-
	2,4	0,16	2,67	0	12	4	12	4	12	4	4	6,9	SCG256B404VMS	SCG256B416VMS	-	-	-
					15	8	15	8	15	8	5	6,9	SCG256B470VMS	SCG256B436VMS	-	-	-
	4	0,33	5,5	0	5	2	5	2	5	2	5	6,9	SCG256B471V	-	-	-	-
	5	0,45	7,5	0	3	1	3	1	3	1	5	6,9	SCG256B472V	-	-	-	-
<b>NO - Normally open</b>																	
1/8	1,2	0,05	0,8	0	10	10	10	10	10	10	4	6,9	SCG256B006VMS	SCG256B018VMS	E	-	-



00029GB-2013/R01 Availability, design and specifications are subject to change without notice. All rights reserved.